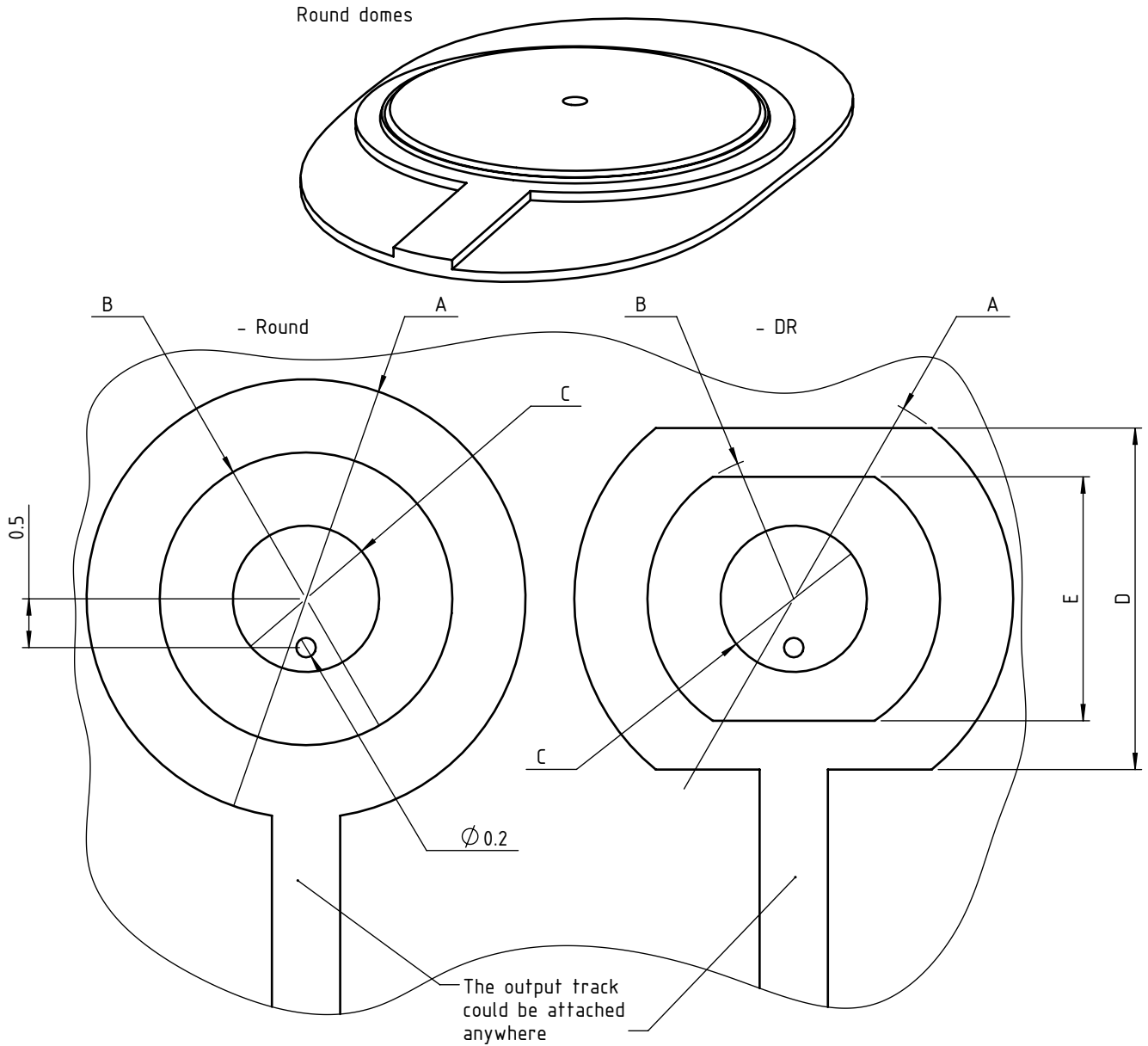


Round domes



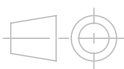
Recommended plated following domes :

Dome YY code = 21 (Nickel plated)
 Pattern plated = Tin plated (Sn) or Nickel plated (Ni) or Gold plated (Au) or Silver ink (Ag)

Dome YY code = 31 (Selective gold plated)
 Pattern plated = Tin plated (Sn) or Nickel plated (Ni) or Gold plated (Au) or Silver ink (Ag)

Dome YY code = 41 (Silver plated)
 Pattern plated = Tin plated (Sn) or Nickel plated (Ni) or Gold plated (Au) or Silver ink (Ag)

	A	B	C	D	E
N4	4.5	3	1.7	3.5	2.5
N5	5.5	4	2.5	4.5	3.5



Scale
 10:1

e	04/05/09	C.G.	E.M.	D.Z.
Ind	Date	Drawn	Checked	Approved

Item : Domes pattern for double side PCB

Catalogue Reference :

SP-DOME-002

Compliant matrix :
 Customer reference :

General tolerance ±0.2

Page 1/1 A4