



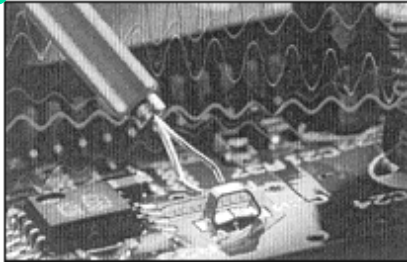
NICOMATIC is certified
 ISO9001:2008 / EN9100:2003

C12000 SMD TEST TERMINAL



The PCB industry has moved irresistibly towards surface mounted components technology. The components are mounted on the circuit board without piercing it. NICOMATIC SMD test terminals are supplied on reeled tapes specifically designed for distribution by a Pick & Place machine like any other SMD component. The **C12000 test terminal is used to test zones on PCBs, separately or by comparison with another.** C12000 are designed to attach a large range of probes, test probes, oscilloscope probes at key points...

*NICOMATIC patent
 number 0 601 900 & 92.13394*

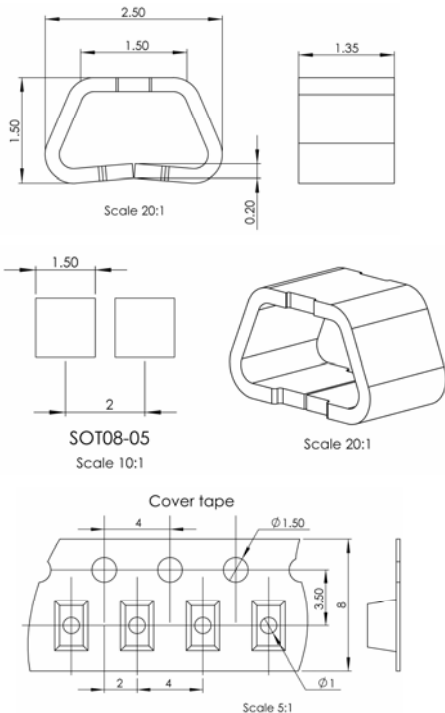


ADVANTAGES

Saves time on mounting by avoiding:

- PCB piercing
- Hole plating
- Manual insertion and soldering of traditional test pins

No specific test probe needed
Can be used as zero resistance
No special compartment needed on auto-placing machines

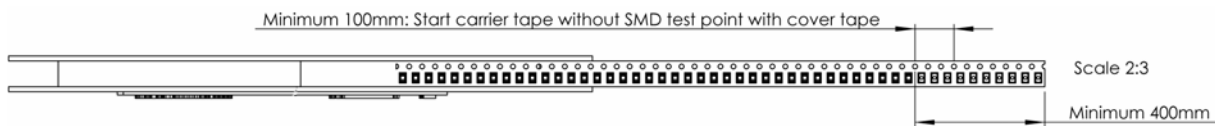


FEATURES

MATERIAL
 Copper alloy, RoHS compliant

PLATING
 Tin plating over nickel and copper
 composition: Cu 2 μ + Ni 1 to 2 μ + Sn 3 to 5 μ
 (pure tin bright with nickel under layer)
 Also available in gold: Cu 2 μ + Ni 1 to 2 μ + Gold flash

ORDERING INFORMATION
 Packaging in reel:
 2 000 components: P/N **C12000B**
 8 500 components: P/N **C12000B-8500**
 2 000 components*: P/N **C12000BG**
 (Top cover tape and embossed carrier)
 *gold version



MAY 2011 - non contractual document – NICOMATIC reserves the right to discontinue the production or to change the specifications of any part of this data sheet without prior notice - ©

NICOMATIC NORTH AMERICA
 165 Veterans Way,
 Unit 200
 Warminster, PA 18974 - USA
 Phone: (215) 444-9580
 Fax: (215) 444-9581
 e-mail: sales@nicomatic.net

NICOMATIC SOUTH AMERICA
 Av. Brigadeiro Faria Lima,
 2.639 – 10a Jardim Paulistano
 01452-000 Sao Paulo – SP - BRAZIL
 Phone : (55) 11 3815-4411
 Fax: (55) 11 3814-6133
 e-mail: carlos.guimaraes@nicomatic.com.br

NICOMATIC CHINA
 6A XEDA Jimei Industrial Park #21, 5th Floor, SK Vista, Rustam Bagh,
 Xiqing Economic & Dvpt Area Old Airport Rd, Behind Manipal Hospital
 Tianjin – CHINA
 Phone: (86) 22 238 88 050
 Fax: (86) 22 238 88 060
 e-mail: sales@nicomatic.cn

NICOMATIC INDIA
 6A XEDA Jimei Industrial Park #21, 5th Floor, SK Vista, Rustam Bagh,
 Bangalore - 560017 - INDIA
 Phone: +91-80-30468361
 Fax: +91-80-30758990
 e-mail: india@nicomatic.com