

D

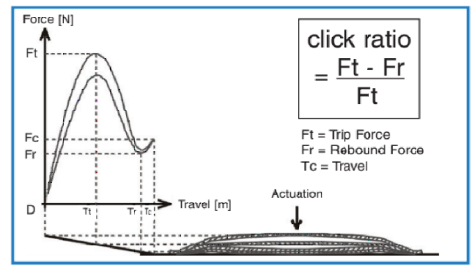
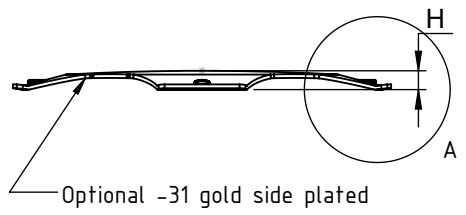
C

B

A

Mechanical characteristics

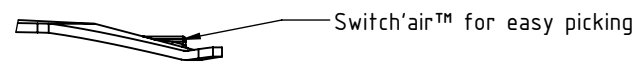
Technical features



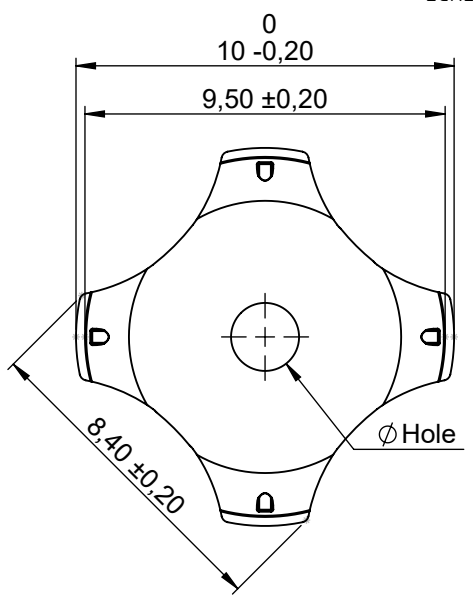
Typical force versus travel curve for a metal dome

Storage temperature	-55°C to 125°C
Operating temperature	-40°C to 105°C
Switching capacity	1 Watt
Actuation life	Up to 5 million*
Material	AISI301 - EN 1.4310 - EN X10CrNi18.8

*depending on conditions of use and application type



DÉTAIL A
ECHELLE 12 : 1



Dome reference XXX	Trip Force ±30 (g)		
		280	340
Height H 0/-0.20 (mm)	0,65		
Ø Hole ±0.05 (mm)	3,1	2,6	1,8
Click ratio (%)	60 - 90		70 -100

N10-4L-H-XXX-YY

Hole	With -H

YY	Plating	Thickness
21	Nickel	0.1µ to 0.4µ
31	Gold	0.1µ to 0.4µ (1 face) over 0.1µ to 0.4µ nickel



This document is the property of Nicomatic. It may not be reproduced without the prior written permission of the owner. Law of 11 March 1902.

Catalogue Reference : N10-4L-H-XXX-YY



b	03/02/22	C.L.	C.M.	C.Ga.
Ind	Date	Drawn	Checked	Approved
Item : Switch'Air™ Dome Ø10mm 4legs XXXg nickel or gold plated with hole				

Compliant matrix :
Customer reference :

	General ±0.2 tolerance	Scale 5:1	Page 1/1
--	------------------------	-----------	----------

D

A4