

D

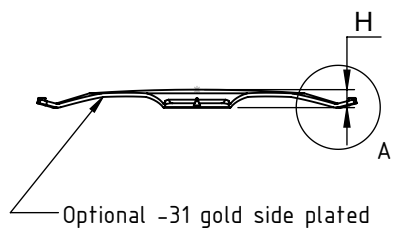
C

B

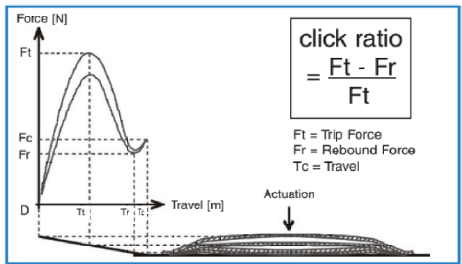
A

4

4



Mechanical characteristics



Typical force versus travel curve for a metal dome

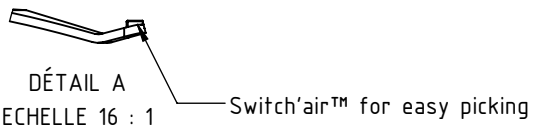
Technical features

- Storage temperature: -55°C to 125°C
- Operating temperature: -40°C to 105°C
- Switching capacity: 1 Watt
- Actuation life: Up to 5 million*
- Material: AISI301 - EN 1.4310 - EN X10CrNi18.8

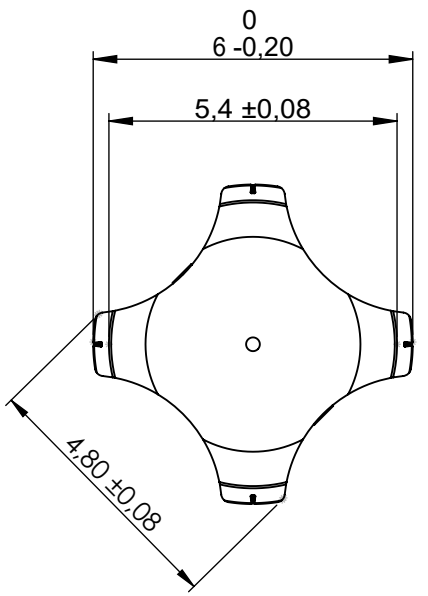
*depending on conditions of use and application type

3

3



Dome reference XXX	Trip Force ±30 (g)	
	170	220
Height H ±0.08 (mm)	0,35	
Click ratio (%)	40 - 70	50- 80



N6-4L(-D)-XXX-YY

	With	Without
	-D	/
Dimple		

YY	Plating	Thickness
21	Nickel	0.1µ to 0.4µ
31	Gold	0.1µ to 0.4µ (1 face) over 0.1µ to 0.4µ nickel



y	13/04/22	W.K.	A.G.	C.Ga.
Ind	Date	Drawn	Checked	Approved
Item : Switch'air™ Dome Ø6mm 4legs XXXg nickel or gold plated				

This document is the property of Nicomatic. It may not be reproduced without the prior written permission of the owner. Law of 11 March 1902.

Catalogue Reference : N6-4L(-D)-XXX-YY

Compliant matrix :
Customer reference :

	General ±0.2 tolerance	Scale 7:1	Page 1/1
--	------------------------	-----------	----------

D

A4