

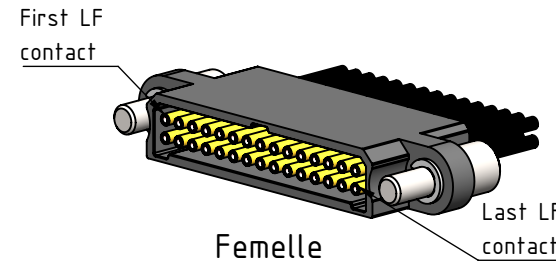
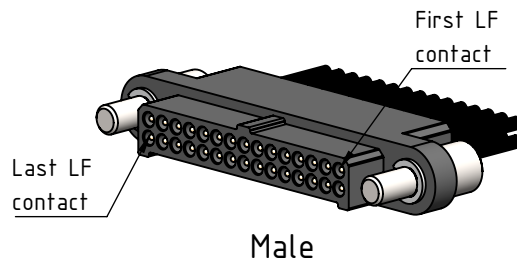
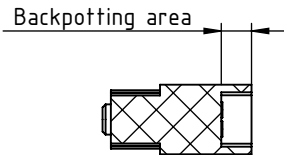
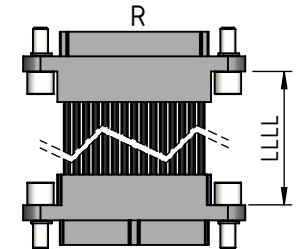
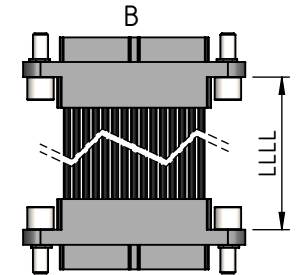
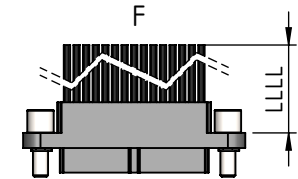
Harnais EMM

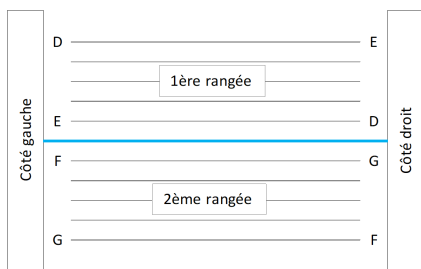
Codification EMM Pré-câblé

H E x x G W (#) P n n (n) E x x - y y z z - A # B D L L L L

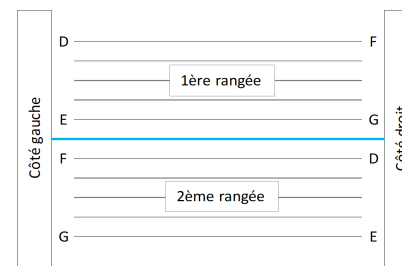
| HExx | G | W | (#) | P | nn(n) | E x x - | yyzz- | A | # | B | D | LLLL | |
|-------------------|-----------|--------------|------------------------------|--------------------------------------|-----------------------|------------------------------------|-------------------------|-----------------------|---------|-------------|--------------------------|-------------------------------|------------------------------------|
| EMM séries | Genre | Câble signal | Couleur de câbles | Jupe intégrée & potting | Nombre de contact LF | Fixations | Nombre de contact HP/HF | Câble HP/HF | Couleur | Accessoires | Configuration du harnais | Longueur du harnais | |
| HE22 2 Rangées | 1 Mâle | E | No signal (LF) contacts | Z Sans potting | 04 to 60 2 Rangées | Fixations de l'EMM selon catalogue | Sans HP/HF : Ø | Z Pas d'accessoire | # | B | D | F "Fly lead" | LLLL < 100 Tolérance ± 5 |
| | | D | AWG30 | | | | | | | | | B "Back to Back" | 100 ≤ LLLL < 0300 Tolérance ± 5 |
| | H | AWG28 | R "Back to Back" Inversé | 0300 ≤ LLLL < 1500 Tolérance ± 10 | | | | | | | | | |
| | I | AWG26 | | 1500 ≤ LLLL ≤ 3000 Tolérance ± 50 | | | | | | | | | |
| 2 Femelle | J | AWG24 | # Voir table des couleurs | Q Avec Potting | | | | | | | | 3000 < LLLL Tolérance ± 50 | |

| Câbles signaux | | | | | | | | | | | | | | | |
|--------------------|--------------------|---------|-----------|-------|--------|---------|-----------|------|--------|---------|-----------|----|-------|---------|-----------|
| # | Types | Couleur | Référence | # | Types | Couleur | Référence | # | Types | Couleur | Référence | # | Types | Couleur | Référence |
| 0 | AWG24 | Noir | 18594 | 0 | AWG26 | Noir | 18604 | 0 | AWG28 | Noir | 18614 | 0 | AWG30 | Noir | 18624 |
| 1 | | Marron | 18595 | 1 | | Marron | 18605 | 1 | | Marron | 18615 | 1 | | Marron | 18625 |
| 2 | | Rouge | 18596 | 2 | | Rouge | 18606 | 2 | | Rouge | 18616 | 2 | | Rouge | 18626 |
| 3 | | Orange | 18597 | 3 | | Orange | 18607 | 3 | | Orange | 18617 | 3 | | Orange | 18627 |
| 4 | | Jaune | 18598 | 4 | | Jaune | 18608 | 4 | | Jaune | 18618 | 4 | | Jaune | 18628 |
| 5 | | Vert | 18599 | 5 | | Vert | 18609 | 5 | | Vert | 18619 | 5 | | Vert | 18629 |
| 6 | | Bleu | 18600 | 6 | | Bleu | 18610 | 6 | | Bleu | 18620 | 6 | | Bleu | 18630 |
| 7 | | Violet | 18601 | 7 | | Violet | 18611 | 7 | | Violet | 18621 | 7 | | Violet | 18631 |
| 8 | | Gris | 18602 | 8 | | Gris | 18612 | 8 | | Gris | 18622 | 8 | | Gris | 18632 |
| 9 | | Blanc | 18603 | 9 | | Blanc | 18613 | 9 | | Blanc | 18623 | 9 | | Blanc | 18633 |
| Arc-en-ciel-répété | | | | | | | | | | | | | | | |
| R | Ordre des couleurs | Noir | Marron | Rouge | Orange | Jaune | Vert | Bleu | Violet | Gris | Blanc | | | | |
| | N° contact | 1 | 2 | 3 | 4 | 5 | 6 | 7 | 8 | 9 | 10 | 11 | 12 | 13 | 14 |



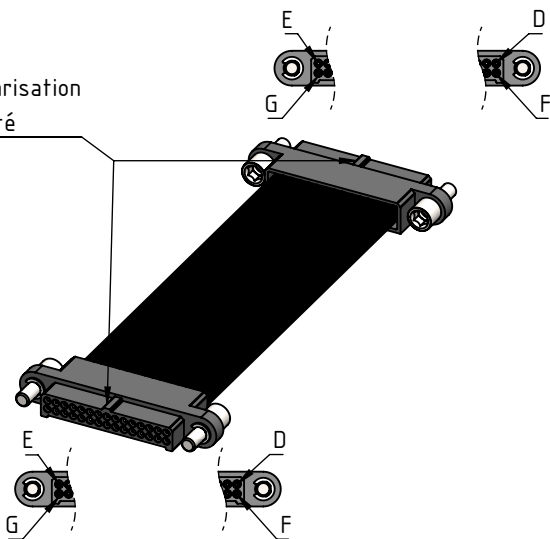


B
"Back to back"

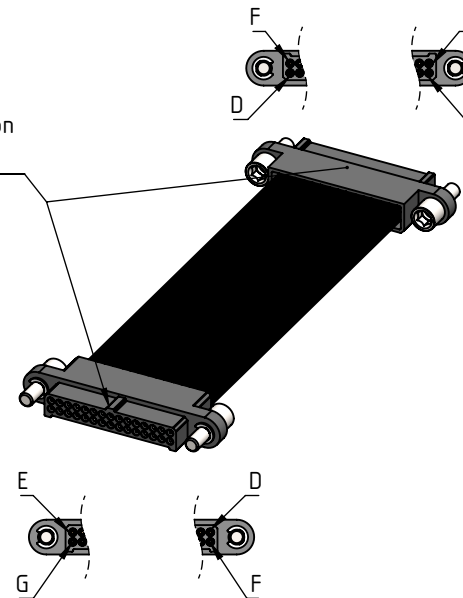


R
Back to back reversed

Clés de polarisation
du même côté



Clés de polarisation
inversées



Example :
EMM 220 Male

| | | | | | |
|------|----------|--------------|-----------|---------|----------------------|
| c | 10/07/24 | OM 24 284 | R.M. | H.B. | Page 2/4 |
| b | 18/02/22 | OM 21 053 | Me D. | C. Ga | |
| a | 27/02/19 | | L.A. J.R. | M.D. | Echelle/Scale 1:1 |
| Ind. | Date | Modification | Drawn | Checked | |

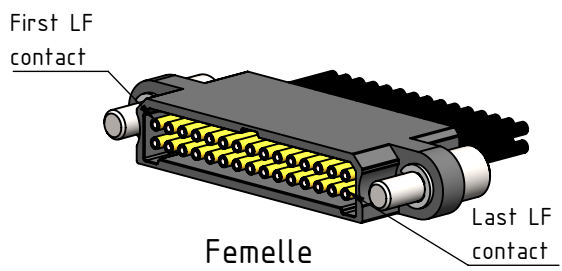
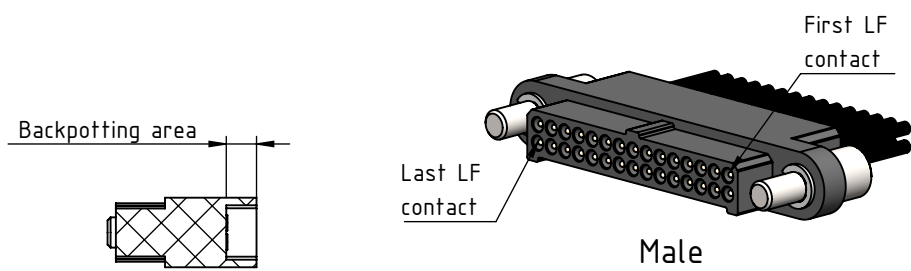
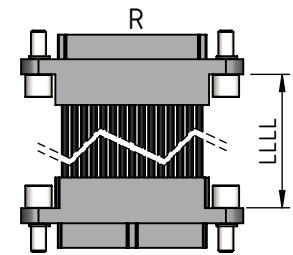
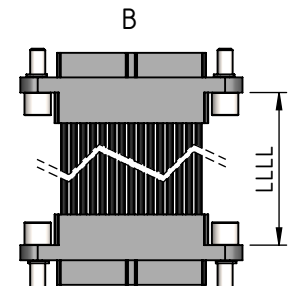
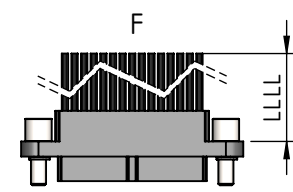
Harness EMM

EMM pre-wired, part numbering

| H | E | x | x | G | W | (#) | P | n | n | E | x | x | - | yy | zz | - | A | # | B | D | L | L | L | L |
|----------------|-------------|--------------|----------------------------------|----------------------------------|---------------------|---|--------------------------|---------------------|-----------------|--------------------|---------------------------|--------------------------------|---|----|----|---|------|---|---|---|---|---|---|---|
| HExx | G | W | (#) | P | nn | E | x | x | - | yy | zz | - | A | # | B | D | LLLL | | | | | | | |
| EMM series | Gender | Cable signal | Cable Color | Integrated shape & potting | Contact Number : LF | Fixation | Number of Contacts HP/HF | Cable HP/ HF | Colour | Accessoires | Harness Configuration | Harness Length | | | | | | | | | | | | |
| HC22 2Range | 1 Mâle | E | No signal (LF) contacts | | Z No potting | EMMfasteners according to catalogue | No HP/HF: Ø | Z No accessories | F "Fly lead" | B "Backto Back" | LLLL<100 Tolerance ± 5 | | | | | | | | | | | | | |
| | | D | AWG30 | # See color table | | | | | | | Q With Potting | 100≤LLLL<0300 Tolerance ± 5 | | | | | | | | | | | | |
| | H | AWG28 | 0300≤LLLL<1500 Tolerance ± 10 | | | | | | | | | | | | | | | | | | | | | |
| | 2 Female | I | AWG26 | 1500≤LLLL≤3000 Tolerance ± 50 | | | | | | | | | | | | | | | | | | | | |
| J | | AWG24 | 3000<LLLL Tolerance ± 50 | | | | | | | | | | | | | | | | | | | | | |

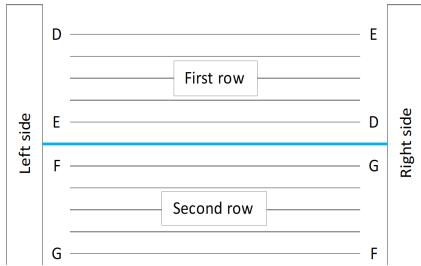
| Signal cables | | | | | | | | | | | | | | | |
|---------------|-------|--------|-----------|---|-------|--------|-----------|---|-------|--------|-----------|---|-------|--------|-----------|
| # | Types | colour | Reference | # | Types | colour | Reference | # | Types | colour | Reference | # | Types | colour | Reference |
| 0 | AWG24 | Black | 18594 | 0 | AWG26 | Black | 18604 | 0 | AWG28 | Black | 18614 | 0 | AWG30 | Black | 18624 |
| 1 | | Brown | 18595 | 1 | | Brown | 18605 | 1 | | Brown | 18615 | 1 | | Brown | 18625 |
| 2 | | Red | 18596 | 2 | | Red | 18606 | 2 | | Red | 18616 | 2 | | Red | 18626 |
| 3 | | Orange | 18597 | 3 | | Orange | 18607 | 3 | | Orange | 18617 | 3 | | Orange | 18627 |
| 4 | | Yellow | 18598 | 4 | | Yellow | 18608 | 4 | | Yellow | 18618 | 4 | | Yellow | 18628 |
| 5 | | Green | 18599 | 5 | | Green | 18609 | 5 | | Green | 18619 | 5 | | Green | 18629 |
| 6 | | Blue | 18600 | 6 | | Blue | 18610 | 6 | | Blue | 18620 | 6 | | Blue | 18630 |
| 7 | | Violet | 18601 | 7 | | Violet | 18611 | 7 | | Violet | 18621 | 7 | | Violet | 18631 |
| 8 | | Grey | 18602 | 8 | | Grey | 18612 | 8 | | Grey | 18622 | 8 | | Grey | 18632 |
| 9 | | White | 18603 | 9 | | White | 18613 | 9 | | White | 18623 | 9 | | White | 18633 |

| Arc-en-ciel-répété | | | | | | | | | | | |
|--------------------|-------------|-------|-------|-----|--------|--------|-------|------|--------|------|-------|
| R | Color Order | Black | Brown | Red | Orange | Yellow | Green | Blue | Violet | Grey | White |
| | N° | 1 | 2 | 3 | 4 | 5 | 6 | 7 | 8 | 9 | 10 |
| | contact | 11 | 12 | 13 | 14 | 15 | 16 | 17 | 18 | 19 | ... |

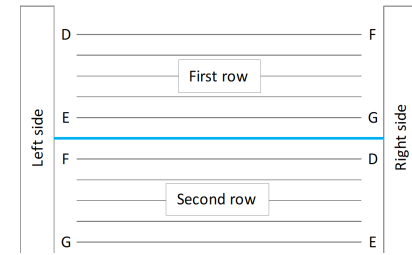


Ref : HExxGW#PnnExx-yyzz-A#BDLLLL
 Designation : EMM Harness
 Cabling definition according to IPC/WHMA-A-620D Class 2

| | | | | | | | |
|------|----------|--------------|-----------|---------|----------|-------------------|----|
| c | 10/07/24 | OM 24 284 | R.M. | H.B. | Page 3/4 | | |
| b | 18/02/22 | OM 21 053 | Me D. | C. Ga | | | |
| a | 27/02/19 | | L.A. J.R. | M.D. | | | |
| Ind. | Date | Modification | Drawn | Checked | Approved | Echelle/Scale 1:1 | A4 |

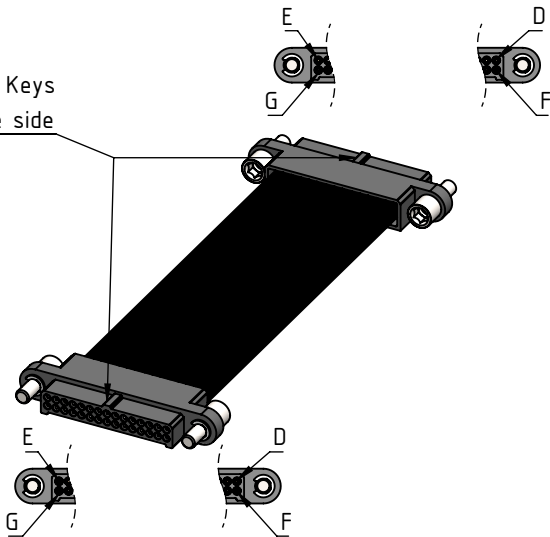


B
"Back to back"

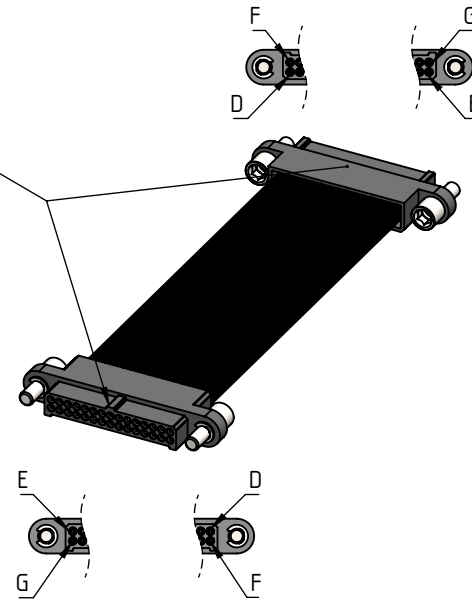


R
Back to back reversed

Polarization Keys
on the same side



Polarization Keys
Reversed



Example :
EMM 220 Male